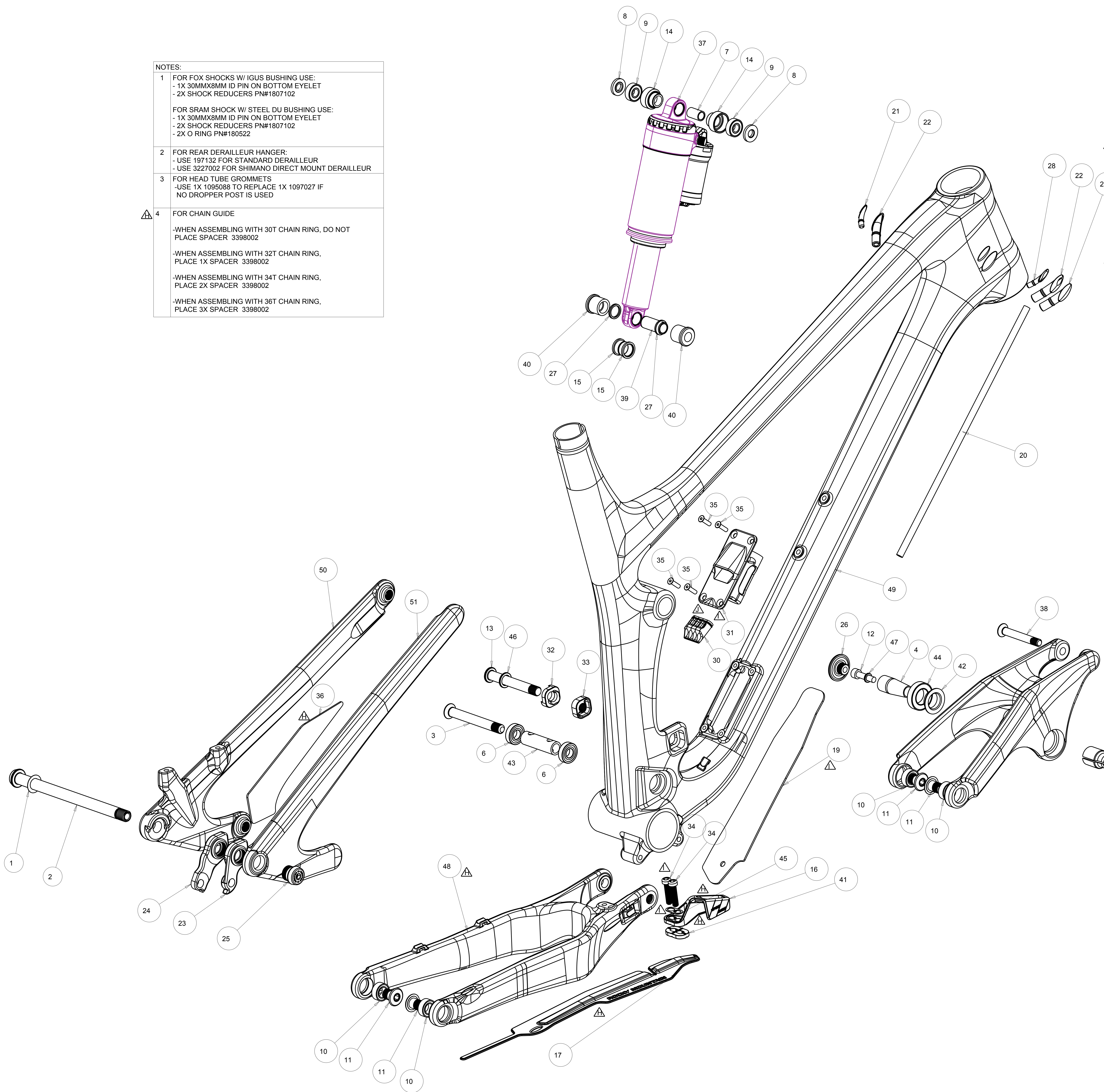


- NOTES:**
- 1 FOR FOX SHOCKS W/ IGUS BUSHING USE:
- 1X 30MMX8MM ID PIN ON BOTTOM EYELET
- 2X SHOCK REDUCERS PN#1807102
 - FOR SRAM SHOCK W/ STEEL DU BUSHING USE:
- 1X 30MMX8MM ID PIN ON BOTTOM EYELET
- 2X SHOCK REDUCERS PN#1807102
- 2X O RING PN#180522
 - 2 FOR REAR DERAILLEUR HANGER:
- USE 197132 FOR STANDARD DERAILLEUR
- USE 3227002 FOR SHIMANO DIRECT MOUNT DERAILLEUR
 - 3 FOR HEAD TUBE GROMMETS
- USE 1X 1095088 TO REPLACE 1X 1097027 IF NO DROPPER POST IS USED
 - 4 FOR CHAIN GUIDE
- WHEN ASSEMBLING WITH 30T CHAIN RING, DO NOT PLACE SPACER 3398002
- WHEN ASSEMBLING WITH 32T CHAIN RING, PLACE 1X SPACER 3398002
- WHEN ASSEMBLING WITH 34T CHAIN RING, PLACE 2X SPACER 3398002
- WHEN ASSEMBLING WITH 36T CHAIN RING, PLACE 3X SPACER 3398002



| # | QTY | ITEM | PART NO. | REVISION | DESCRIPTION |
|----|-----|------------------------|------------|----------|--|
| 1 | 1 | AXLE WASHER | 3227006 | B | WASHER, 12x18x0.5MM, 304 SS |
| 2 | 1 | AXLE, 12MMX17.3MM | 3227009 | B | 2017 ELEMENT REAR AXLE 12X 17.3MM, HARD BLACK ANO |
| 3 | 1 | AXLE, MP | 1807029 | A | SLAYER MP AXLE, 11MM X 25.1, 3.8MM, AL7075-T6 HARD BLACK ANO |
| 4 | 1 | AXLE, TP LEFT | 1806088 | A | 17MM TOP PIVOT AXLE, LEFT, AL7075-T6 |
| 5 | 1 | AXLE, TP RIGHT | 1806089 | A | 17MM TOP PIVOT AXLE, RIGHT, AL7075-T6 |
| 6 | 2 | BEARING | 1807042 | NIL | ENDURO BEARING 6900 2RS MAX TYPE, 22X10X6 SIZE |
| 7 | 1 | BEARING ID SLEEVE | 1807028 | A | BEARING EYELET SLEEVE FOR SR 19X8X6 CUP |
| 8 | 2 | BEARING SPACER | 1807027 | C | EYELET BEARING SPACER, 2.8MM THK, FOR 35MM LINK WIDTH |
| 9 | 2 | BEARING, 698 | 1807036 | NIL | ENDURO 698 LLU MAX 18X8X6 |
| 10 | 4 | BEARING, DR 111197 | 1807034 | NIL | Slayer Rear pivots bearing, DR 111197 LLU MAX, ENDURO |
| 11 | 4 | BOLT, 11MM AXLE | 1807035 | NIL | Rear pivots 11mmODx1.0 x 16L, Axle, AL7075-6, Hard Black ano |
| 12 | 1 | BOLT, M6X25 | 1807039 | NIL | SOCKET HEAD CAP SCREW, M6X25 |
| 13 | 1 | BOLT, SHOCK BOT | 1807024 | A | Lower Shock bot, 10mm OD x 75MM, AL7075-T6 Black ano |
| 14 | 2 | BRO CUP | 1807028 | E | BEARING EYELET FOR SR 19X8X6 BRG |
| 15 | 2 | BUSHING, FOX IGUS | N/A | NIL | FOX IGUS BUSHING |
| 16 | 1 | CHAIN GUIDE | 3398001 | A | CHAIN GUIDE |
| 17 | 1 | CHAINSTAY PROTECTOR | 3707003 | E | SLAYER CHAINSTAY PROTECTOR |
| 18 | 1 | COLLET, T.P. | 1806080 | E | TOP PIVOT COLLET, AL7005-T6, HARD BLACK ANODIZE |
| 19 | 1 | DT PROTECTOR | 3707034 | B | DOWNTUBE PROTECTOR TAPE, 3M 300LSE |
| 20 | 1 | FOAM TUBE | N/A | NIL | SPLIT FOAM TUBE, ONE FOR EACH CABLE IN FRAME |
| 21 | 1 | GROMMET | 1095058 | NIL | CABLE PORT RUBBER GROMMET, DIZ |
| 22 | 2 | GROMMET | 1097027 | A | CABLE PORT GROMMET, HOSE OR HOUSING, SPLIT, RUBBER |
| 23 | 1 | HANGER | 1097132 | A | REAR DER. HANGER, INT. LH THREAD, STANDARD MOUNT |
| 24 | 1 | HANGER | 3227002 | F | REAR DER. HANGER, INT. LH THREAD, SHIMANO DIRECT MOUNT |
| 25 | 1 | HANGER BOLT | 3227001 | E | HANGER BOLT, EXT. 14MM LH THREAD, AL6061-T6, HARD BLACK ANO. |
| 26 | 2 | NUT, TP LOCK | 1806087 | A | TOP PIVOT LOCKNUT M12X1, AL7075-T6, HARD BLACK ANO. |
| 27 | 2 | O-RING | 180522 | NIL | RUBBER O-RING, FOR 1/2" SHOCK PIN |
| 28 | 1 | PLUG | 1093001 | NIL | CABLE PORT RUBBER PLUG |
| 29 | 1 | PLUG | 1095088 | A | CABLE PORT RUBBER PLUG FOR OVERSIZED 9MM ENTRY THRU-PORT |
| 30 | 1 | PLUG, DIZ PORT CVR. | 1097021 | A | CABLE 4-HOLE THROUGH PLUG, RUBBER |
| 31 | 1 | PORT COVER | 1097023 | G | SHM. DIZ PORT SLVR. COVER PLATE, PLASTIC |
| 32 | 1 | RIDE-4 CHIP, NO THRD. | 1807040 | NIL | RIDE-4 CHIP, NO THRD., SHORT, AL6061-T6 HARD BLACK ANO |
| 33 | 1 | RIDE-4 CHIP, THREADED | 1807041 | NIL | RIDE-4 CHIP, THREADED, SHORT, AL6061-T6 HARD BLACK ANO |
| 34 | 2 | SCREW | 1807132 | NIL | M6-1.0, 25MM LONG, SOCKET HEAD |
| 35 | 4 | SCREW, MAX16 ALU | 1806013 | NIL | C'SLUNK SOCKET SCREW, Max16mm, AL6061-T6, HARD BLACK ANO |
| 36 | 1 | SEATSTAY PROTECTOR | 3707004 | D | SLAYER SEATSTAY PROTECTOR |
| 37 | 1 | SHOCK | N/A | NIL | REAR SHOCK, 230X65MM |
| 38 | 1 | SHOCK, 8MM BOLT | 1807037 | A | Upper Shock bot, 8mm OD x 3Lmm, Steel w. black plate. |
| 39 | 1 | SHOCK, PIN | N/A | NIL | SHOCK PIN, ID:10 x 30 mm LONG, STAINLESS STEEL |
| 40 | 2 | SHOCK, REDUCER | 1807102 | NIL | SLAYER BOT. SHOCK REDUCER, FOR ID:10, OD:12.7 x 30mm PIN |
| 41 | 3 | SPACER | 3398002 | A | CHAIN GUIDE SPACER |
| 42 | 2 | SPACER TOP LINK | 1806093 | B | MAIN PIVOT BEARING SPSCR., AL7075-T6, HARD BLACK ANODIZE |
| 43 | 1 | SPACER, MP | 1807038 | B | MAIN PIVOT CENTER SPACER, ID:10, L:48 |
| 44 | 2 | TOP LINK BEARING | 1807112 | NIL | BEARING 6903 LLU MAX 17MMX30MMX7MM |
| 45 | 1 | WASHER | 1807133 | NIL | CHAIN GUIDE WASHER |
| 46 | 1 | WASHER, BRASS | 1806011 | NIL | BRASS WASHER, 16.500 X 11.0 X 1.5T |
| 47 | 1 | WASHER, BRASS | 1807069 | NIL | BRASS WASHER, 10.00 X 6.0 X 1.5T |
| 48 | 1 | FRAME - CHAINSTAY | 1057010CBN | B | SLAYER CHAINSTAY, CARBON, ALL SIZES. |
| 49 | 1 | FRAME - FT. TRIANGLE | 1057659CBN | NIL | SLAYER FRONT TRIANGLE, SIZE X-LARGE, CARBON |
| 50 | 1 | FRAME - SEAT STAY, LT. | 1057009CBN | A | SLAYER SEAT STAY, LEFT, CARBON, ALL SIZES. |
| 51 | 1 | FRAME - SEAT STAY, RT | 1057008CBN | A | SLAYER SEAT STAY, RIGHT, CARBON, ALL SIZES. |
| 52 | 1 | FRAME - TOP LINK | 1097020CBN | NIL | SLAYER TOP LINK, CARBON |

| REV | DATE | DESCRIPTION | BY | CHKD |
|-----|------|---|---------------|------|
| J | | CHAIN STAY PROTECTOR REVISED, PORT COVER CHANGED BACK TO REV C | NOV 7 2016 | SL |
| I | | CHAIN GUIDE SCORING CHANGED, CHAIN GUIDE WASHER CHANGED, DT PROTECTOR REVISED, PORT COVER REVISED | OCT 14 2016 | SL |
| H | | STAY & DT PROTECTORS UPDATED, CHAIN GUIDE DESIGN UPDATED, SEE NOTE #6 | SEPT 12 2016 | LEPV |
| G | | TOP LINK BEARING CHANGED, WASHER HANGER REVISED, CHAIN GUIDE REVISED | AUG 8 2016 | LEPV |
| F | | CHAINSTAY PROTECTOR REVISED | JUL 7 2016 | SL |
| E | | PART REVISIONS ADDED, LOWER SHOCK BEARING PARTNARIUM CHANGED, NOTE ADDED | JUNE 28 2016 | SL |
| D | | PART REVISIONS ADDED, SHOCK FLIPPO, BEARING EYELET PARTS REVISED AND MORE | MAY 25 2016 | SL |
| C | | PART NUMBERS ADDED FOR TRIMET 1.8 BRASS WASHER | MARCH 14 2016 | SL |
| B | | BOM VIEW CHANGED AND UPDATED PARTS | MARCH 11 2016 | SL |
| A | | BOM RELEASED FOR PRODUCTION | JANU 20 2016 | DOOC |
| NIL | | DRAWING RELEASED | DEC 10 2015 | DOOC |

THE INFORMATION CONTAINED HEREIN IS PROPRIETARY TO ROCKY MOUNTAIN BICYCLES / PROCYCLE GROUP, AND IS NOT TO BE RELEASED WITHOUT PRIOR WRITTEN APPROVAL.

ROCKY MOUNTAIN BICYCLES
 DIV. OF PROCYCLE GROUP
 1222 EAST KEITH ROAD, #10
 NORTH VANCOUVER, BC, CANADA V7J 1J3
 TEL: 604-480-9800 FAX: 604-480-9875

TOLERANCES
 UNLESS NOTED:
 X.X" ±0.5"
 X.X" ±0.25"
 X.XX ±0.25"
 X.XXX ±0.25"

DRAWING TITLE: **BOM - SLAYER CARBON**
 DRAWING NUMBER: **n/a**
 SHEET: **1 of 1**

CREATED BY: _____ CHECKED BY: _____ APPROVED BY: _____